



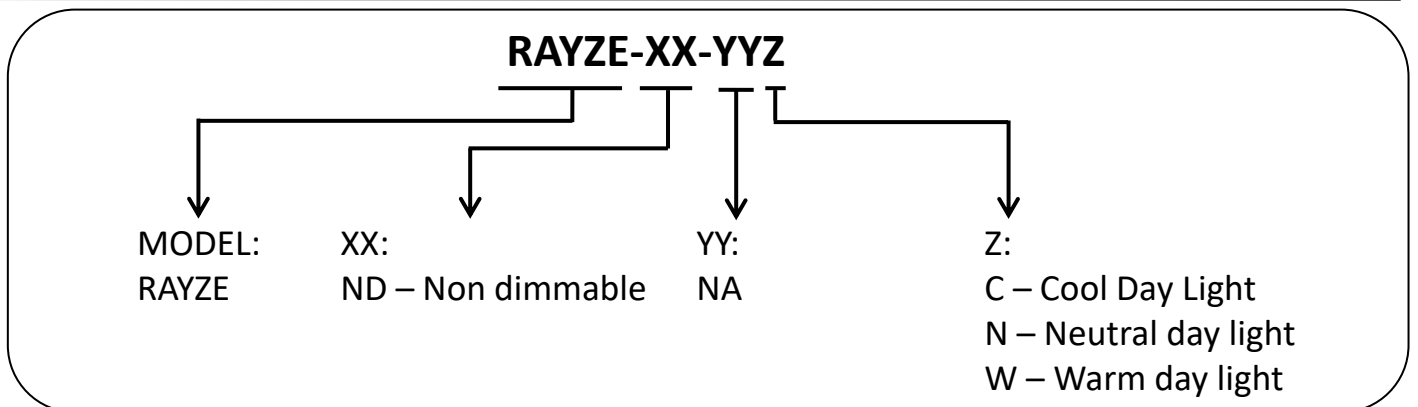
Product Features

- Long life and better thermal management.
- High efficacy LED.
- Uniform and optimum light output and energy savings.
- IP65



Electrical Specification	Rated Voltage (V)	220-240Vac
	Operating Voltage Range (V)	140-300Vac
	Operating Frequency (Hz)	50 +/-3%
	Driver Efficiency (%)	NA
	System Power Consumption (W)± 10%	E27 BULB Holder (bulb non included)
	Inbuilt Surge Protection (kV)	NA
	Electrical Insulation Class	Suitable for Class II
	Surge Protection (kV)(Inline SPD)	NA
Optical Specification	Light Source	Bulb
	Typ. Fixture Efficacy (LM/W)	Decorative light
	Color Temperature (K)	CDL / NDL / WDL
	CRI	NA
	Diffuser / Optical material	Milky
	Beam Angle options	Diffused
Other Specification	Operating Ambient Temperature (°C)	0°C to + 45°C
	Housing	Powder coated aluminum die cast
	Mounting Arrangement	Wall mounted
	IP rating	IP65

Model No.



All features, functionality and other product specifications are subject to change without notice or obligation.